

DN6.59x - 48 channel 16 bit digitizerNETBOX up to 125 MS/s

- 24, 32, 40 or 48 channels with 5 MS/s up to 125 MS/s
- Software selectable single-ended or differential inputs
- Simultaneously sampling on all channels
- Separate ADC and amplifier per channel
- complete on-board calibration
- 6 input ranges: ± 200 mV up to ± 10 V
- 64 MSample/channel standard acquisition memory
- Programmable input offset of $\pm 100\%$
- Window, pulse width, re-arm, spike, OR/AND trigger
- Streaming, ABA mode, Multiple Recording, Gated Sampling, Timestamps

Speed	SNR	ENOB
5 MS/s	up to 86.0 dB	up to 14.0 LSB
20 MS/s	up to 81.0 dB	up to 13.2 LSB
40 MS/s	up to 75.3 dB	up to 12.2 LSB
125 MS/s	up to 73.3 dB	up to 11.8 LSB



- Ethernet Remote Instrument
- LXI Core 2011 compatible
- GBit Ethernet Interface
- Sustained streaming mode up to 70 MB/s
- Direct Connection to PC/Laptop
- Connect anywhere in company LAN
- Embedded Webserver for Maintenance/Updates
- Embedded Server option for open Linux platform

Operating Systems	SBench 6 Professional Included	Drivers
<ul style="list-style-type: none"> • Windows 7 (SP1), 8, 10, Server 2008 R2 and newer • Linux Kernel 2.6, 3.x, 4.x, 5.x • Windows/Linux 32 and 64 bit 	<ul style="list-style-type: none"> • Acquisition, Generation and Display of analog and digital data • Calculation, FFT • Documentation and Import, Export 	<ul style="list-style-type: none"> • LabVIEW, MATLAB, LabWindows/CVI • Visual C++, C++ Builder, GNU C++, VB.NET, C#, J#, Delphi, Java, Python • IVI

Model	Single-Ended Inputs		Differential Inputs	
DN6.591-24	24 channels	5 MS/s	12 channels	5 MS/s
DN6.591-32	32 channels	5 MS/s	16 channels	5 MS/s
DN6.591-40	40 channels	5 MS/s	20 channels	5 MS/s
DN6.591-48	48 channels	5 MS/s	24 channels	5 MS/s
DN6.592-24	24 channels	20 MS/s	12 channels	20 MS/s
DN6.592-32	32 channels	20 MS/s	16 channels	20 MS/s
DN6.592-40	40 channels	20 MS/s	20 channels	20 MS/s
DN6.592-48	48 channels	20 MS/s	24 channels	20 MS/s
DN6.593-24	24 channels	40 MS/s	12 channels	40 MS/s
DN6.593-32	32 channels	40 MS/s	16 channels	40 MS/s
DN6.593-40	40 channels	40 MS/s	20 channels	40 MS/s
DN6.593-48	48 channels	40 MS/s	24 channels	40 MS/s
DN6.596-24	12 (24) channels	125 (80) MS/s	12 channels	125 MS/s
DN6.596-32	16 (32) channels	125 (80) MS/s	16 channels	125 MS/s
DN6.596-40	20 (40) channels	125 (80) MS/s	20 channels	125 MS/s
DN6.596-48	24 (48) channels	125 (80) MS/s	24 channels	125 MS/s

General Information

The digitizerNETBOX DN6.59x series allows recording of up to 48 channels with sampling rates of 80 MS/s or 24 channels with sampling rates of 125 MS/s. These Ethernet Remote instruments offer outstanding A/D features both in resolution and signal quality. The inputs can be switched between Single-Ended with a programmable offset and True Differential. If used in differential mode each two inputs are connected together reducing the number of available channels by half.

Importantly, the high-resolution 16-bit ADCs deliver sixteen times more resolution than digitizers using older 12-bit technology and 256 times more resolution than what is available from digital scopes that commonly use 8-bit ADCs.

The digitizerNETBOX can be installed anywhere in the company LAN and can be remotely controlled from a host PC.

Software Support

Windows Support

The digitizerNETBOX/generatorNETBOX/hybridNETBOX can be accessed from Windows 7, Windows 8, Windows 10 (each 32 bit and 64 bit). Programming examples for Visual C++, C++ Builder, LabWindows/CVI, Delphi, Visual Basic, VB.NET, C#, J#, Python, Java and IVI are included.

Linux Support



The digitizerNETBOX/generatorNETBOX/hybridNETBOX can be accessed from any Linux system. The Linux support includes SMP systems, 32 bit and 64 bit systems, versatile programming examples for Gnu C++, Python as well as drivers for MATLAB for Linux.

SBench 6, the powerful data acquisition and analysis software from Spectrum is also included as a Linux version.

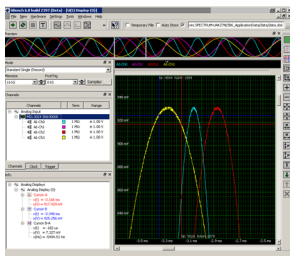
Discovery Protocol

Physical Location	
Bus No	0
Device No	0
Function No	0
Slot No	0
IP	192.168.169.14
VISA	TCPIP[0]:192.168.169.14:inst0:INSTR

The Discovery function helps you to find and identify any Spectrum LXI instruments, like the digitizerNETBOX and generatorNETBOX, available to your computer on the network. The Discovery function will also locate any Spectrum card products that are managed by an installed Spectrum Remote Server somewhere on the network.

After running the discovery function the card information is cached and can be directly accessed by SBench 6. Furthermore the qualified VISA address is returned and can be used by any software to access the remote instrument.

SBench 6 Professional



The digitizerNETBOX, generatorNETBOX and hybridNETBOX can be used with Spectrum's powerful software SBench 6 – a Professional license for the software is already installed in the box. SBench 6 supports all of the standard features of the instrument. It has a variety of display windows as well as analysis, export and documentation functions.

- Available for Windows 7, Windows 8, Windows 10 and Linux
- Easy to use interface with drag and drop, docking windows and context menus
- Display of analog and digital data, X-Y display, frequency domain and spread signals
- Designed to handle several GBytes of data
- Fast data preview functions

IVI Driver

The IVI standards define an open driver architecture, a set of instrument classes, and shared software components. Together these provide critical elements needed for instrument interchangeability. IVI's defined Application Programming Interfaces (APIs) standardize common measurement functions reducing the time needed to learn a new IVI instrument.

The Spectrum products to be accessed with the IVI driver can be locally installed data acquisition cards, remotely installed data acquisition cards or remote LXI instruments like digitizerNETBOX/generatorNETBOX. To maximize the compatibility with existing IVI based software installations, the Spectrum IVI

driver supports IVI Scope, IVI Digitizer and IVI FGen class with IVI-C and IVI-COM interfaces.

Third-party Software Products

Most popular third-party software products, such as LabVIEW, MATLAB or LabWindows/CVI are supported. All drivers come with examples and detailed documentation.

Embedded Webserver

Welcome	
Instrument Model	DN2,465-08
Manufacturer	Spectrum GmbH
Serial Number	1234
Description	digitizerNETBOX
LXI Features	LXI Core 2011
LXI Version	LXI Device Specification 2011 rev. 1.4
Host Name	192.168.169.23
mDNS Host Name	digitizerNETBOX.local
MAC Address	0C:C4:7A:B3:C2:A2
TCP/IP Address	192.168.169.23
Firmware Revision	62
Software Revision	5.17.1717
Instrument Address String [VISA]	TCPIP::192.168.169.23::INSTR
LAN ID Indicator	<input type="checkbox"/> Enable

The integrated webserver follows the LXI standard and gathers information on the product, set up of the Ethernet configuration and current status. It also allows the setting of a configuration password, access to documentation and updating of the complete instrument firmware, including the embedded remote server and the webserver.

Hardware features and options

LXI Instrument



The digitizerNETBOX and generatorNETBOX are fully LXI instrument compatible to LXI Core 2011 following the LXI Device Specification

2011 rev. 1.4. The digitizerNETBOX/generatorNETBOX has been tested and approved by the LXI Consortium.

Located on the front panel is the main on/off switch, LEDs showing the LXI and Acquisition status and the LAN reset switch.

Front Panel



Standard BNC connectors are used for all analog input or output signals and all auxiliary signals like clock and trigger. No special adapter cables are needed and the connection is secure even when used in a moving environment.

Custom front panels are available on request even for small series, be it SMA, LEMO connectors or custom specific connectors.

Ethernet Connectivity

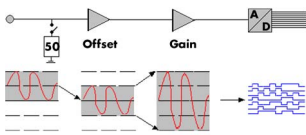


The GBit Ethernet connection can be used with standard COTS Ethernet cabling. The integration into a standard LAN allows to connect the digitizerNETBOX/generatorNETBOX either directly to a desktop PC or Laptop or it is possible to place the instrument somewhere in the company LAN and access it from any desktop over the LAN.

Boot on Power Option

The digitizerNETBOX/generatorNETBOX can be factory configured to automatically start and boot upon availability of the input power rail. That way the instrument will automatically become available again upon loss of input power.

Input Amplifier



The analog inputs can be adapted to real world signals using a wide variety of settings that are individual for each channel. By using software commands the input termination can be changed between 50 Ohm and 1 MOhm, one can select a matching input range and the signal offset can be compensated for.

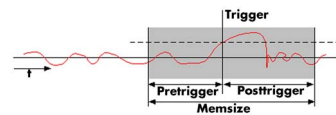
Differential inputs

With a simple software command the inputs can individually be switched from single-ended (in relation to ground) to differential by combining each two single-ended inputs to one differential input. When the inputs are used in differential mode the A/D converter measures the difference between two lines with relation to system ground.

Automatic on-board calibration

All of the channels are calibrated in factory before the board is shipped. To compensate for different variations like PC power supply, temperature and aging, the software driver provides routines for an automatic onboard offset and gain calibration of all input ranges. All the cards contain a high precision on-board calibration reference.

Ring buffer mode



The ring buffer mode is the standard mode of all oscilloscope instruments. Digitized data is continuously written into a ring memory until a

trigger event is detected. After the trigger, post-trigger samples are recorded and pre-trigger samples can also be stored. The number of pre-trigger samples available simply equals the total ring memory size minus the number of post trigger samples.

FIFO mode

The FIFO mode is designed for continuous data transfer between remote instrument and PC memory or hard disk. The control of the data stream is done automatically by the driver on interrupt request. The complete installed on-board memory is used for buffer data, making the continuous streaming extremely reliable.

Channel trigger

The data acquisition instruments offer a wide variety of trigger modes. Besides the standard signal checking for level and edge as known from oscilloscopes it's also possible to define a window trigger. All trigger modes can be combined with the pulsewidth trigger. This makes it possible to trigger on signal errors like too long or too short pulses. In addition to this a re-arming mode (for accurate trigger recognition on noisy signals) the AND/OR conjunction of different trigger events is possible. As a unique feature it is possible to use deactivated channels as trigger sources.

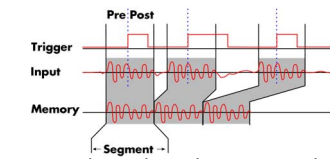
External trigger I/O

All instruments can be triggered using an external TTL signal. It's possible to use positive or negative edge also in combination with a programmable pulse width. An internally recognised trigger event can - when activated by software - be routed to the trigger connector to start external instruments.

Pulse width

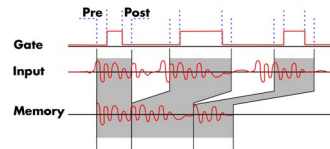
Defines the minimum or maximum width that a trigger pulse must have to generate a trigger event. Pulse width can be combined with channel trigger, pattern trigger and external trigger.

Multiple Recording



The Multiple Recording mode allows the recording of several trigger events with an extremely short re-arming time. The hardware doesn't need to be restarted in between. The on-board memory is divided in several segments of the same size. Each of them is filled with data if a trigger event occurs. Pre- and posttrigger of the segments can be programmed. The number of acquired segments is only limited by the used memory and is unlimited when using FIFO mode.

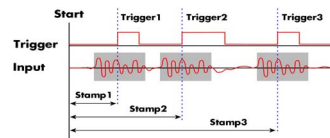
Gated Sampling



The Gated Sampling mode allows data recording controlled by an external gate signal. Data is only recorded if the gate signal has a programmed level. In addition a pre-area before start

of the gate signal as well as a post area after end of the gate signal can be acquired. The number of gate segments is only limited by the used memory and is unlimited when using FIFO mode.

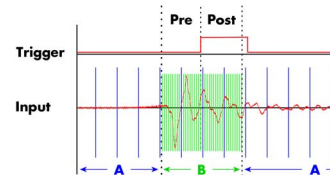
Timestamp



The timestamp function writes the time positions of the trigger events in an extra memory. The timestamps are relative to the start of recording, a defined zero time, externally synchronized to a radio clock, an IRIG-B or a GPS receiver.

Using the external synchronization gives a precise time relation for acquisitions of systems on different locations.

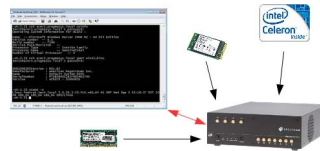
ABA mode



The ABA mode combines slow continuous data recording with fast acquisition on trigger events. The ABA mode works like a slow data logger combined with a fast digitizer. The exact

position of the trigger events is stored as timestamps in an extra memory.

Option Embedded Server



The option turns the digitizerNETBOX/generatorNETBOX in a powerful PC that allows to run own programs on a small and remote data acquisition system. The digitizerNETBOX/generatorNETBOX is enhanced by more memory, a powerful CPU, a freely accessible

internal SSD and a remote software development access method.

The digitizerNETBOX/generatorNETBOX can either run connected to LAN or it can run totally independent, storing data to the internal SSD. The original digitizerNETBOX/generatorNETBOX remote instrument functionality is still 100 % available. Running the embedded server option it is possible to pre-calculate results based on the acquired data, store acquisitions locally and to transfer just the required data or results parts in a client-server based software structure. A different example for the digitizerNETBOX/generatorNETBOX embedded server is surveillance/logger application which can run totally independent for

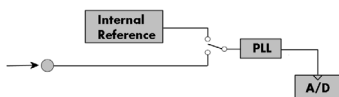
days and send notification emails only over LAN or offloads stored data as soon as it's connected again.

Access to the embedded server is done through a standard text based Linux shell based on the ssh secure shell.

External clock I/O

Using a dedicated connector a sampling clock can be fed in from an external system. It's also possible to output the internally used sampling clock to synchronise external equipment to this clock.

Reference clock



The option to use a precise external reference clock (normally 10 MHz) is necessary to synchronize the instrument for high-quality

measurements with external equipment (like a signal source). It's also possible to enhance the quality of the sampling clock in this way. The driver automatically generates the requested sampling clock from the fed in reference clock.

DN2 / DN6 Technical Data

Analog Inputs

Resolution		16 bit (can be reduced to acquire simultaneous digital inputs)
Input Range	software programmable	±200 mV, ±500 mV, ±1 V, ±2 V, ±5 V, ±10 V
Input Type	software programmable	Single-ended or True Differential
Input Offset (single-ended)	software programmable	programmable to ±100% of input range in steps of 1%
ADC Differential non linearity (DNL)	ADC only	591x: ±0.2/±0.8 LSB (typ./max.) 592x: ±0.2/±0.8 LSB (typ./max.) 593x, 8x3: ±0.5/±0.9 LSB (typ./max.) 594x: ±0.5/±0.9 LSB (typ./max.) 596x, 8x6: ±0.5/±0.9 LSB (typ./max.)
ADC Integral non linearity (INL)	ADC only	591x: ±1.0/±2.3 LSB (typ./max.) 592x: ±1.0/±2.3 LSB (typ./max.) 593x, 803, 813: ±2.0/±7.5 LSB (typ./max.) 594x: ±2.0/±7.5 LSB (typ./max.) 596x, 806, 816: ±2.0/±7.5 LSB (typ./max.)
Offset error (full speed), DC signal	after warm-up and calibration	≤ 0.1% of range
Gain error (full speed), DC signal	after warm-up and calibration	≤ 0.1% of reading
AC accuracy	1 kHz signal	≤ 0.3% of reading
AC accuracy	50 kHz signal	≤ 0.5% of reading
Crosstalk: Signal 1 MHz, 50 Ω	range ≤ ±1V range ≥ ±2V	≤ 95 dB on adjacent channels ≤ 90 dB on adjacent channels
Crosstalk: Signal 10 MHz, 50 Ω	range ≤ ±1V range ≥ ±2V	≤ 87 dB on adjacent channels ≤ 85 dB on adjacent channels
Analog Input impedance	software programmable	50 Ω / 1 MΩ 30 pF
Analog input coupling	fixed	DC
Over voltage protection	range ≤ ±1V	±5 V (1 MΩ), 3.5 Vrms (50 Ω)
Over voltage protection	range ≥ ±2V	±50 V (1 MΩ), 5 Vrms (50 Ω)
Anti-Aliasing Filter (digital filtering active)	591x (5 MS/s)	Digital Anti-Aliasing filter at 40% of sampling rate. Examples: 5 MS/s sampling rate -> anti-aliasing filter at 2 MHz 1 MS/s sampling rate -> anti-aliasing filter at 400 kHz
Anti-Aliasing Filter (standard)	591x (5 MS/s) 592x (20 MS/s) 593x (40 MS/s) 594x (80 MS/s) 596x (125 MS/s)	fixed 2.5 MHz 3rd order butterworth alike fixed 10 MHz 3rd order butterworth alike fixed 20 MHz 3rd order butterworth alike fixed 40 MHz 3rd order butterworth alike fixed 60 MHz 3rd order butterworth alike
CMRR (Common Mode Rejection Ratio)	range ≤ ±1V	100 kHz: 75 dB, 1 MHz: 60 dB, 10 MHz: 40 dB
CMRR (Common Mode Rejection Ratio)	range ≥ ±2V	100 kHz: 55 dB, 1 MHz: 52 dB, 10 MHz: 50 dB
Maximum Common Mode Voltage	Input Range	±200 mV ±500 mV ±1 V ±2 V ±5 V ±10 V
Differential Input	VCM	±900 mV ±2.25 V ±2.25 V ±9 V ±22.5 V ±22.5 V

Resolution		16 bit (can be reduced to acquire simultaneous digital inputs)
Channel selection (single-ended inputs)	software programmable	1, 2, 4 or 8 channels (maximum is model dependent)
Channel selection (true differential inputs)	software programmable	1, 2 or 4 channels (maximum is model dependent)

Trigger

Available trigger modes	software programmable	Channel Trigger, External, Software, Window, Pulse, Re-Arm, Spike, Or/And, Delay
Trigger level resolution	software programmable	14 bit
Trigger edge	software programmable	Rising edge, falling edge or both edges
Trigger pulse width	software programmable	0 to [4G - 1] samples in steps of 1 sample
Trigger delay	software programmable	0 to [4G - 1] samples in steps of 1 samples
Trigger holdoff (for Multi, ABA, Gate)	software programmable	0 to [4G - 1] samples in steps of 1 samples
Multi, ABA, Gate: re-arming time		< 40 samples (+ programmed pretrigger + programmed holdoff)
Pretrigger at Multi, ABA, Gate, FIFO	software programmable	8 up to [32 kSamples / number of active channels] in steps of 8
Posttrigger	software programmable	8 up to [8G - 4] samples in steps of 8 (defining pretrigger in standard scope mode)
Memory depth	software programmable	16 up to [installed memory / number of active channels] samples in steps of 8
Multiple Recording/ABA segment size	software programmable	8 up to [installed memory / number of active channels] samples in steps of 8
Internal/External trigger accuracy		1 sample
Timestamp modes	software programmable	Standard, Startreset, external reference clock on X1 (e.g. PPS from GPS, IRIG-B)
Data format		Std., Startreset: 64 bit counter, increments with sample clock (reset manually or on start) RefClock: 24 bit upper counter (increment with RefClock) 40 bit lower counter (increments with sample clock, reset with RefClock)
Extra data	software programmable	none, acquisition of X1/X2/X3 inputs at trigger time, trigger source (for OR trigger)
Size per stamp		128 bit = 16 bytes
External trigger		Ext
External trigger type		Single level comparator
External trigger impedance	software programmable	50 Ω / 5 kΩ
External trigger input level		±5 V (5 kΩ), ±2.5 V (50 Ω), ±20 V (5 kΩ), 5 Vrms (50 Ω)
External trigger over voltage protection		200 mVpp
External trigger sensitivity (minimum required signal swing)		
External trigger level	software programmable	±5 V in steps of 1 mV
External trigger bandwidth	50 Ω 5 kΩ	DC to 400 MHz DC to 300 MHz
Minimum external trigger pulse width		≥ 2 samples
		X1, X2, X3
		3.3V LVTTTL logic inputs For electrical specifications refer to „Multi Purpose I/O lines“ section.

Multi Purpose I/O lines

Number of multi purpose output lines		one, named X0
Number of multi purpose input/output lines		three, named X1, X2, X3
Multi Purpose line		X0
Input: available signal types	software programmable	n.a.
Input: signal levels		n.a.
Input: impedance		n.a.
Input: maximum voltage level		n.a.
Input: maximum bandwidth		n.a.
Output: available signal types	software programmable	Run-, Arm-, Trigger-Output, Asynchronous Digital-Out, ADC Clock Output
Output: impedance		50 Ω
Output: drive strength		Capable of driving 50 Ω loads, maximum drive strength ±48 mA
Output: type / signal levels		3.3V LVTTTL, TTL compatible for high impedance loads
Output: update rate (synchronous modes)		sampling clock
		X1, X2, X3
		Synchronous Digital-In, Asynchronous Digital-In, Timestamp Reference Clock, Logic trigger
		3.3 V LVTTTL
		10 kΩ to 3.3 V
		-0.5 V to +4.0 V
		125 MHz
		Run-, Arm-, Trigger-Output, Asynchronous Digital-Out

Option DN2.59x-08-Dig

Number of additional multi-purpose I/O lines		8 (X4 to X11)
Input: signal levels		3.3 V LVTTTL
Input: impedance		10 kΩ to 3.3 V
Input: maximum voltage level		-0.5 V to +4.0 V
Input: maximum bandwidth		125 MHz
Input: available signal types	software programmable	Synchronous Digital-In, Asynchronous Digital-In
Output: available signal types	software programmable	Run-, Arm-, Trigger-Output, Asynchronous Digital-Out
Output: update rate (synchronous modes)		sampling clock
Output: type / signal levels		3.3V LVTTTL, TTL compatible for high impedance loads
Output: impedance		50 Ω
Output: drive strength		Capable of driving 50 Ω loads, maximum drive strength ±48 mA

Clock

Clock Modes	software programmable	internal PLL, external clock, external reference clock, sync
Internal clock range (PLL mode)	software programmable	see „Clock Limitations and Bandwidth“ table below
Internal clock accuracy	after warm-up	$\leq \pm 1.0$ ppm (at time of calibration in production)
Internal clock aging		$\leq \pm 0.5$ ppm / year
PLL clock setup granularity (int. or ext. reference)		1 Hz
External reference clock range	software programmable	128 kHz up to 125 MHz
Direct external clock to internal clock delay		4.3 ns
Direct external clock range		see „Clock Limitations and Bandwidth“ table below
Direct external clock minimum LOW/HIGH time		see „Clock Limitations and Bandwidth“ table below
External clock type		Single level comparator
External clock input level		± 5 V (5 k Ω), ± 2.5 V (50 Ω),
External clock input impedance	software programmable	50 Ω / 5 k Ω
External clock over voltage protection		± 20 V (5 k Ω), 5 Vrms (50 Ω)
External clock sensitivity (minimum required signal swing)		200 mVpp
External clock level	software programmable	± 5 V in steps of 1 mV
External clock edge		rising edge used
External reference clock input duty cycle		45% - 55%
Clock output electrical specification		Available via Multi Purpose output X0. Refer to „Multi Purpose I/O lines“ section.
Synchronization clock multiplier „N“ for different clocks on synchronized cards	software programmable	N being a multiplier (1, 2, 3, 4, 5, ... Max) of the card with the currently slowest sampling clock. The card maximum (see „Clock Limitations and Bandwidth“ table below) must not be exceeded.
ABA mode clock divider for slow clock	software programmable	8 up to (64k - 8) in steps of 8
Channel to channel skew on one card		< 200 ps (typical)
Skew between star-hub synchronized cards		< 100 ps (typical)

Connectors

Analog Inputs		9 mm BNC female (one for each single-ended input)	Cable-Type: Cab-9m-xx-xx
Trigger Input		9 mm BNC female	Cable-Type: Cab-9m-xx-xx
Clock/Reference Clock Input		9 mm BNC female	Cable-Type: Cab-9m-xx-xx
Clock Output, Multi-Purpose X0		9 mm BNC female	Cable-Type: Cab-9m-xx-xx
Multi-Purpose I/O X1, X2, X3	Programmable Direction	9 mm BNC female	Cable-Type: Cab-9m-xx-xx

Option digitizerNETBOX/generatorNETBOX embedded server (DN2.xxx-Emb, DN6.xxx-Emb)

CPU		Intel Quad Core 2 GHz
System memory		4 GByte RAM
System data storage		Internal 128 GByte SSD
Development access		Remote Linux command shell (ssh), no graphical interface (GUI) available
Accessible Hardware		Full access to Spectrum instruments, LAN, front panel LEDs, RAM, SSD
Integrated operating system		OpenSuse 12.2 with kernel 4.4.7.
Internal PCIe connection		DN2.20, DN2.46, DN2.47, DN2.49, DN2.59, DN2.60, DN2.65 DN6.46, DN6.49, DN6.59, DN6.65 DN2.22, DN2.44, DN2.66 DN6.22, DN6.44, DN6.66
		PCIe x1, Gen1
		PCIe x1, Gen2

Ethernet specific details

LAN Connection		Standard RJ45
LAN Speed		Auto Sensing: GBit Ethernet, 100BASE-T, 10BASE-T
LAN IP address	programmable	DHCP (IPv4) with AutoIP fall-back (169.254.x.y), fixed IP (IPv4)
Sustained Streaming speed		DN2.20, DN2.46, DN2.47, DN2.49, DN2.60 up to 70 MByte/s DN6.46, DN6.49 DN2.59, DN2.65, DN2.22, DN2.44, DN2.66 up to 100 MByte/s DN6.59, DN6.65, DN6.22, DN6.44, DN6.66
Used TCP/UDP Ports		Websserver: 80 mDNS Daemon: 5353 VISA Discovery Protocol: 111, 9757 UPNP Daemon: 1900 Spectrum Remote Server: 1026, 5025

Power connection details

Mains AC power supply		Input voltage: 100 to 240 VAC, 50 to 60 Hz
AC power supply connector		IEC 60320-1-C14 (PC standard coupler)
Power supply cord		power cord included for Schuko contact (CEE 7/7)

Serial connection details (DN2.xxx with hardware \geq V11)

Serial connection (RS232)		For diagnostic purposes only. Do not use, unless being instructed by a Spectrum support agent.
---------------------------	--	--

Certification, Compliance, Warranty

EMC Immunity		Compliant with CE Mark
EMC Emission		Compliant with CE Mark
Product warranty		5 years starting with the day of delivery
Software and firmware updates		Life-time, free of charge

Clock Limitations and Bandwidth

	M2p.591x, DN2.591-xx DN6.591-xx	M2p.592x, DN2.592-xx DN6.592-xx	M2p.593x DN2.593-xx DN6.593-xx DN2.803-xx DN2.813-xx	M2p.594x	M2p.596x DN2.596-xx DN6.596-xx DN2.806-xx DN2.816-xx
max internal clock (non-synchronized cards)	5 MS/s	20 MS/s	40 MS/s	80 MS/s	125 MS/s
min internal clock (non-synchronized cards)	1 kS/s	1 kS/s	1 kS/s	1 kS/s	1 kS/s
max internal clock (cards synchronized via star-hub)	5 MS/s	20 MS/s	40 MS/s	80 MS/s	125 MS/s
min internal clock (cards synchronized via star-hub)	128 kS/s	128 kS/s	128 kS/s	128 kS/s	128 kS/s
max direct external clock	5 MS/s	20 MS/s	40 MS/s	80 MS/s	125 MS/s
min direct external clock	1 MS/s	1 MS/s	1 MS/s	1 MS/s	1 MS/s
min direct external clock LOW time	25 ns	25 ns	4 ns	4 ns	4 ns
min direct external clock HIGH time	25 ns	25 ns	4 ns	4 ns	4 ns
-3 dB analog input bandwidth	> 2.0 MHz	> 10 MHz	> 20 MHz	> 40 MHz	> 60 MHz
-3 dB analog input bandwidth, digital filter de-activated	> 2.5 MHz	n.a.	n.a.	n.a.	n.a.

RMS Noise Level (Zero Noise), typical figures

M2p.591x, DN2.591-xx, DN6.591-xx digital filtering active												
Input Range	±200 mV		±500 mV		±1	±2 V	±5 V	±10 V				
Voltage resolution	6.1 µV		15.3 µV		30.5 µV	61.0 µV	152.6 µV	305.2 µV				
50 Ω	<1.5 LSB	<10 µV	<1.2 LSB	<19 µV	<1.0 LSB	<31 µV	<3.0 LSB	<183 µV	<1.6 LSB	<245 µV	<1.2 LSB	<367 µV
1 MΩ	<1.5 LSB	<10 µV	<1.2 LSB	<19 µV	<1.0 LSB	<31 µV	<3.0 LSB	<183 µV	<1.6 LSB	<245 µV	<1.2 LSB	<367 µV

M2p.592x, DN2.592-xx, DN6.592-xx												
Input Range	±200 mV		±500 mV		±1	±2 V	±5 V	±10 V				
Voltage resolution	6.1 µV		15.3 µV		30.5 µV	61.0 µV	152.6 µV	305.2 µV				
50 Ω	<4.0 LSB	<25 µV	<2.6 LSB	<40 µV	<2.1 LSB	<65 µV	<4.3 LSB	<263 µV	<2.6 LSB	<397 µV	<2.1 LSB	<641 µV
1 MΩ	<4.5 LSB	<28 µV	<3.0 LSB	<46 µV	<2.5 LSB	<107 µV	<4.5 LSB	<275 µV	<3.0 LSB	<458 µV	<2.5 LSB	<763 µV

M2p.593x, DN2.593-xx, DN6.593-xx, DN2.803-xx, DN2.813-xx												
Input Range	±200 mV		±500 mV		±1	±2 V	±5 V	±10 V				
Voltage resolution	6.1 µV		15.3 µV		30.5 µV	61.0 µV	152.6 µV	305.2 µV				
50 Ω	<6.0 LSB	<37 µV	<5.0 LSB	<77 µV	<4.5 LSB	<138 µV	<6.5 LSB	<397 µV	<5.0 LSB	<763 µV	<4.5 LSB	<1.4 mV
1 MΩ	<6.5 LSB	<40 µV	<5.0 LSB	<77 µV	<4.5 LSB	<138 µV	<6.5 LSB	<397 µV	<5.0 LSB	<763 µV	<4.5 LSB	<1.4 mV

M2p.594x												
Input Range	±200 mV		±500 mV		±1	±2 V	±5 V	±10 V				
Voltage resolution	6.1 µV		15.3 µV		30.5 µV	61.0 µV	152.6 µV	305.2 µV				
50 Ω	<7.0 LSB	<43 µV	<5.5 LSB	<85 µV	<4.5 LSB	<138 µV	<7.5 LSB	<458 µV	<5.5 LSB	<840 µV	<4.5 LSB	<1.4 mV
1 MΩ	<7.5 LSB	<46 µV	<5.8 LSB	<89 µV	<4.5 LSB	<138 µV	<7.7 LSB	<470 µV	<5.8 LSB	<886 µV	<4.5 LSB	<1.4 mV

M2p.596x, DN2.596-xx, DN6.596-xx, DN2.806-xx, DN2.816-xx												
Input Range	±200 mV		±500 mV		±1	±2 V	±5 V	±10 V				
Voltage resolution	6.1 µV		15.3 µV		30.5 µV	61.0 µV	152.6 µV	305.2 µV				
50 Ω	<9.0 LSB	<55 µV	<6.8 LSB	<104 µV	<5.5 LSB	<168 µV	<9.0 LSB	<550 µV	<6.8 LSB	<1.1 mV	<5.5 LSB	<1.7 mV
1 MΩ	<9.5 LSB	<58 µV	<7.1 LSB	<109 µV	<5.5 LSB	<168 µV	<9.5 LSB	<580 µV	<7.1 LSB	<1.1 mV	<5.5 LSB	<1.7 mV

Dynamic Parameters, typical figures

M2p.591x, DN2.591-xx, DN6.591-xx digital filtering active								
Test - sampling rate	5 MS/s							
	±200 mV		±500 mV		±1 V		±2 V	
Input Range	±200 mV		±500 mV		±1 V		±2 V	
Test Signal Frequency	20 kHz	1 MHz	20 kHz	1 MHz	20 kHz	1 MHz	20 kHz	1 MHz
SNR (typ)	≥ 83.5 dB	≥ 82.8 dB	≥ 85.0 dB	≥ 84.9 dB	≥ 86.2 dB	≥ 85.7 dB	n.a.	n.a.
THD (typ)	(≤ 84.4 dB)	≤ -93.5 dB	(≤ 86.3 dB)	≤ -93.1 dB	(≤ 86.9 dB)	≤ -91.8 dB	n.a.	n.a.
SFDR (typ), excl. harm.	≥ 103.0 dB	≥ 103.0 dB	≥ 104.0 dB	≥ 107.0 dB	≥ 103.0 dB	≥ 107.0 dB	n.a.	n.a.
ENOB (based on SNR)	≥ 13.6 LSB	≥ 13.4 LSB	≥ 13.8 LSB	≥ 13.8 LSB	≥ 14.0 LSB	≥ 13.9 LSB	n.a.	n.a.
ENOB (based on SINAD)	≥ 13.1 LSB	≥ 13.4 LSB	≥ 13.4 LSB	≥ 13.7 LSB	≥ 13.6 LSB	≥ 13.8 LSB	n.a.	n.a.

M2p.591x, DN2.591-xx, DN6.591-xx digital filtering active								
Test - sampling rate	3 MS/s		1 MS/s		500 kS/s		200 kS/s	
	±200 mV	±1 V	±200 mV	±1 V	±200 mV	±1 V	±200 mV	±1 V
Input Range	±200 mV		±200 mV		±200 mV		±200 mV	
Test Signal Frequency	20 kHz		20 kHz		20 kHz		20 kHz	
Input bandwidth due to digital filter	1.2 MHz		400 kHz		200 kHz		80 kHz	
SNR (typ)	≥ 85.3 dB	≥ 86.6 dB	≥ 87.2 dB	≥ 89.1 dB	≥ 86.2 dB	≥ 89.7 dB	≥ 86.4 dB	≥ 89.4 dB
THD (typ)	(≥ 88.9 dB)	(≤ -88.5 dB)	(≤ 86.4 dB)	(≤ -88.6 dB)	(≤ 86.9 dB)	(≤ -90.8 dB)	(≤ 89.7 dB)	(≤ -93.8 dB)
SFDR (typ), excl. harm.	≥ 103.1 dB	≥ 103.6 dB	≥ 102.8 dB	≥ 105.6 dB	≥ 103.1 dB	≥ 103.1 dB	≥ 103.1 dB	≥ 103.5 dB
ENOB (based on SNR)	≥ 13.9 LSB	≥ 14.1 LSB	≥ 14.2 LSB	≥ 14.5 LSB	≥ 14.0 LSB	≥ 14.6 LSB	≥ 14.1 LSB	≥ 14.6 LSB
ENOB (based on SINAD)	≥ 13.5 LSB	≥ 13.7 LSB	≥ 13.6 LSB	≥ 14.0 LSB	≥ 13.6 LSB	≥ 14.2 LSB	≥ 13.8 LSB	≥ 14.3 LSB

(20 kHz measurements are missing the correct bandpass filter and therefore show a larger THD that is coming from the generator)

M2p.592x, DN2.592-xx, DN6.592-xx									
Test - sampling rate	20 MS/s								
Input Range	±200 mV			±500 mV			±1 V		±2 V
Test Signal Frequency	1 MHz	n.a.	1 MHz	n.a.	1 MHz	n.a.	1 MHz	n.a.	
SNR (typ)	≥ 77.2 dB	n.a.	≥ 79.8 dB	n.a.	≥ 81.0 dB	n.a.	≥ 75.0 dB	n.a.	
THD (typ)	≤ 92.5 dB	n.a.	≤ 92.8 dB	n.a.	≤ -89.5 dB	n.a.	≤ -76.5 dB	n.a.	
SFDR (typ), excl. harm.	≥ 103.0 dB	n.a.	≥ 103.0 dB	n.a.	≥ 105.0 dB	n.a.	≥ 93.0 dB	n.a.	
ENOB (based on SNR)	≥ 12.5 LSB	n.a.	≥ 13.0 LSB	n.a.	≥ 13.2 LSB	n.a.	≥ 12.2 LSB	n.a.	
ENOB (based on SINAD)	≥ 12.5 LSB	n.a.	≥ 13.0 LSB	n.a.	≥ 13.1 LSB	n.a.	≥ 11.8 LSB	n.a.	

M2p.593x, DN2.593-xx, DN6.593-xx, DN2.803-xx, DN2.813-xx									
Test - sampling rate	40 MS/s								
Input Range	±200 mV		±500 mV		±1		±2 V		
Test Signal Frequency	1 MHz	10 MHz	1 MHz	10 MHz	1 MHz	10 MHz	1 MHz	10 MHz	
SNR (typ)	≥ 73.0 dB	≥ 72.6 dB	≥ 74.6 dB	≥ 74.4 dB	≥ 75.3 dB	≥ 75.3 dB	≥ 71.9 dB	≥ 71.8 dB	
THD (typ)	≤ -87.8 dB	≤ -67.0 dB	≤ -89.0 dB	≤ -67.0 dB	≤ -86.1 dB	≤ -67.2 dB	≤ -79.0 dB	≤ -67.2 dB	
SFDR (typ), excl. harm.	≥ 98.3 dB	≥ 96.5 dB	≥ 98.8 dB	≥ 99.5 dB	≥ 101.0 dB	≥ 100.0 dB	≥ 81.7 dB	≥ 91.3 dB	
ENOB (based on SNR)	≥ 11.8 LSB	≥ 11.8 LSB	≥ 12.1 LSB	≥ 12.0 LSB	≥ 12.2 LSB	≥ 12.2 LSB	≥ 11.7 LSB	≥ 11.6 LSB	
ENOB (based on SINAD)	≥ 11.8 LSB	≥ 10.7 LSB	≥ 12.1 LSB	≥ 10.7 LSB	≥ 12.2 LSB	≥ 10.8 LSB	≥ 11.6 LSB	≥ 10.7 LSB	

M2p.594x									
Test - sampling rate	80 MS/s								
Input Range	±200 mV		±500 mV		±1		±2 V		
Test Signal Frequency	1 MHz	10 MHz	1 MHz	10 MHz	1 MHz	10 MHz	1 MHz	10 MHz	
SNR (typ)	≥ 70.6 dB	≥ 70.5 dB	≥ 72.9 dB	≥ 72.8 dB	≥ 74.2 dB	≥ 74.2 dB	≥ 69.8 dB	≥ 69.8 dB	
THD (typ)	≤ -87.3 dB	≤ -76.9 dB	≤ -86.6 dB	≤ -76.3 dB	≤ -84.8 dB	≤ -70.1 dB	≤ -79.0 dB	≤ -77.9 dB	
SFDR (typ), excl. harm.	≥ 97.5 dB	≥ 105.0 dB	≥ 101.0 dB	≥ 104.0 dB	≥ 100.0 dB	≥ 100.0 dB	≥ 96.9 dB	≥ 96.6 dB	
ENOB (based on SNR)	≥ 11.4 LSB	≥ 11.4 LSB	≥ 11.8 LSB	≥ 11.8 LSB	≥ 12.0 LSB	≥ 12.0 LSB	≥ 11.2 LSB	≥ 11.2 LSB	
ENOB (based on SINAD)	≥ 11.4 LSB	≥ 11.3 LSB	≥ 11.8 LSB	≥ 11.5 LSB	≥ 12.0 LSB	≥ 11.1 LSB	≥ 11.2 LSB	≥ 11.2 LSB	

M2p.596x, DN2.596-xx, DN6.596-xx, DN2.806-xx, DN2.816-xx												
Test - sampling rate	125 MS/s											
Input Range	±200 mV			±500 mV			±1 V			±2 V		
Test Signal Frequency	1 MHz	10 MHz	40 MHz	1 MHz	10 MHz	40 MHz	1 MHz	10 MHz	40 MHz	1 MHz	10 MHz	40 MHz
SNR (typ)	≥ 68.1 dB	≥ 66.2 dB	≥ 65.5 dB	≥ 70.5 dB	≥ 69.9 dB	≥ 68.7 dB	≥ 73.3 dB	≥ 72.7 dB	≥ 71.5 dB	≥ 67.8 dB	≥ 65.8 dB	≥ 65.1 dB
THD (typ)	≤ -81.5 dB	≤ -74.5 dB	≤ -53.7 dB	≤ -82.5 dB	≤ -77.6 dB	≤ -55.3 dB	≤ -83.3 dB	≤ -68.9 dB	≤ -57.3 dB	≤ -78.0 dB	≤ -75.6 dB	≤ -53.7 dB
SFDR (typ), excl. harm.	≥ 95.0 dB	≥ 93.4 dB	≥ 92.3 dB	≥ 97.5 dB	≥ 96.8 dB	≥ 94.0 dB	≥ 98.5 dB	≥ 98.1 dB	≥ 96.4 dB	≥ 91.5 dB	≥ 89.0 dB	≥ 89.0 dB
ENOB (based on SNR)	≥ 11.0 LSB	≥ 10.7 LSB	≥ 10.6 LSB	≥ 11.4 LSB	≥ 11.3 LSB	≥ 11.1 LSB	≥ 11.8 LSB	≥ 11.8 LSB	≥ 11.6 LSB	≥ 11.0 LSB	≥ 10.6 LSB	≥ 10.5 LSB
ENOB (based on SINAD)	≥ 11.0 LSB	≥ 10.6 LSB	≥ 8.6 LSB	≥ 11.4 LSB	≥ 11.1 LSB	≥ 8.9 LSB	≥ 11.7 LSB	≥ 11.0 LSB	≥ 9.2 LSB	≥ 10.9 LSB	≥ 10.6 LSB	≥ 8.6 LSB

Dynamic parameters are measured at ±1 V input range (if no other range is stated) and 50Ω termination with the samplerate specified in the table. Measured parameters are averaged 20 times to get typical values. Test signal is a pure sine wave generated by a signal generator and a matching bandpass filter. Amplitude is >99% of FSR. SNR and RMS noise parameters may differ depending on the quality of the used PC. SNR = Signal to Noise Ratio, THD = Total Harmonic Distortion, SFDR = Spurious Free Dynamic Range, SINAD = Signal Noise and Distortion, ENOB = Effective Number of Bits.

DN6 specific Technical Data

Environmental and Physical Details DN6.xxx

Dimension of Chassis without connectors or bumpers	L x W x H	464 mm x 431 mm x 131 mm
Dimension of Chassis with 19" rack mount option	L x W x H	464 mm x TBD mm x 131 mm (3U height)
Weight (3 internal acquisition/generation modules)		12.1 kg, with rack mount kit: TBD kg
Weight (4 internal acquisition/generation modules)		12.5 kg, with rack mount kit: TBD kg
Weight (5 internal acquisition/generation modules)		12.9 kg, with rack mount kit: TBD kg
Weight (6 internal acquisition/generation modules)		13.4 kg, with rack mount kit: TBD kg
Warm up time		10 minutes
Operating temperature		0°C to 40°C
Storage temperature		-10°C to 70°C
Humidity		10% to 90%
Dimension of packing (single DN6)	L x W x H	580 mm x 580 mm x 280 mm
Volume weight of Packing (single DN6)		19.0 kgs

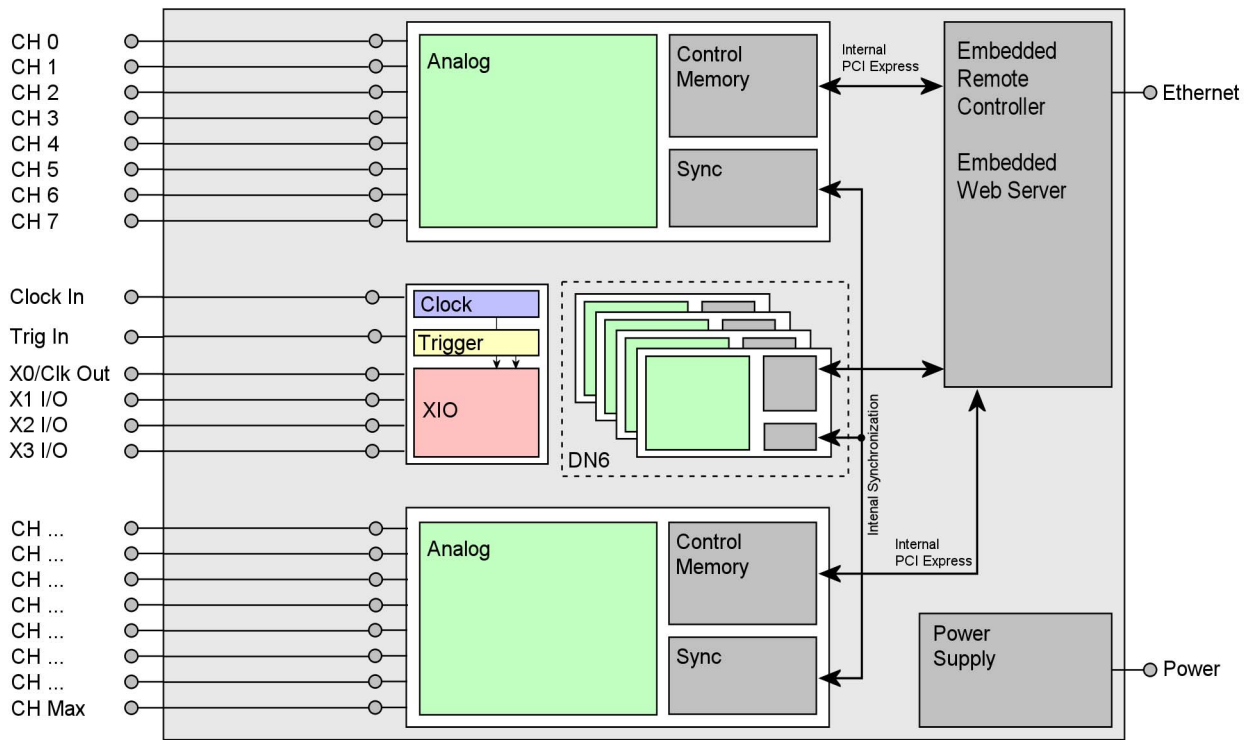
Power Consumption

	230 VAC	
24 channel versions, standard memory	TBD	TBD
32 channel versions, standard memory	TBD	TBD
40 channel versions, standard memory	TBD	TBD
48 channel versions, standard memory	TBD	TBD

MTBF

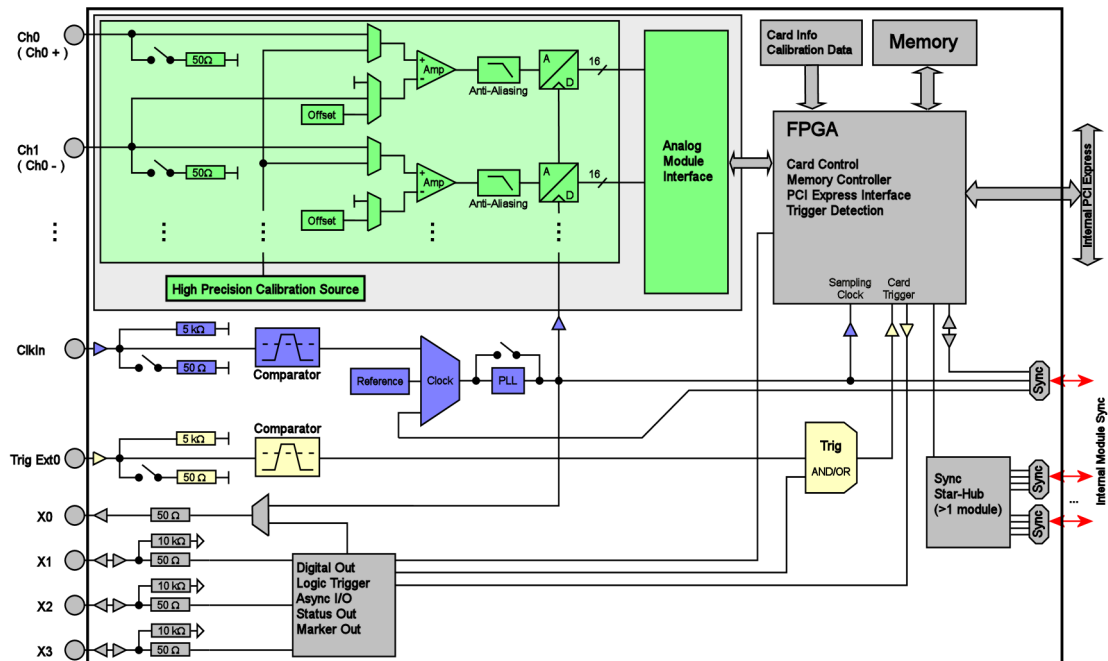
MTBF TBD hours

Block diagram of digitizerNETBOX DN6



- The number of maximum channels and internal digitizer modules and existence of a synchronization Star-Hub is model dependent.

Block diagram of digitizerNETBOX module DN6.59x



Order Information

The digitizerNETBOX is equipped with a large internal memory for data storage and supports standard acquisition (Scope), FIFO acquisition (streaming), Multiple Recording, Gated Sampling, ABA mode and Timestamps. Operating system drivers for Windows/Linux 32 bit and 64 bit, drivers and examples for C/C++, IVI (Scope and Digitizer class), LabVIEW (Windows), MATLAB (Windows and Linux), .NET, Delphi, Java, Python and a Professional license of the oscilloscope software SBench 6 are included.

The system is delivered with a connection cable meeting your countries power connection. Additional power connections with other standards are available as option.

digitizerNETBOX DN6 - Ethernet/LXI Interface

Order no.	A/D Resolution	Bandwidth	Memory	Single-Ended Inputs		Differential Inputs	
DN6.591-24	16 Bit	2.5 MHz	3 x 512 MSamples	24 channels	5 MS/s	12 channels	5 MS/s
DN6.591-32	16 Bit	2.5 MHz	4 x 512 MSamples	32 channels	5 MS/s	16 channels	5 MS/s
DN6.591-40	16 Bit	2.5 MHz	5 x 512 MSamples	40 channels	5 MS/s	20 channels	5 MS/s
DN6.591-48	16 Bit	2.5 MHz	6 x 512 MSamples	48 channels	5 MS/s	24 channels	5 MS/s
DN6.592-24	16 Bit	10 MHz	3 x 512 MSamples	24 channels	20 MS/s	12 channels	20 MS/s
DN6.592-32	16 Bit	10 MHz	4 x 512 MSamples	32 channels	20 MS/s	16 channels	20 MS/s
DN6.592-40	16 Bit	10 MHz	5 x 512 MSamples	40 channels	20 MS/s	20 channels	20 MS/s
DN6.592-48	16 Bit	10 MHz	6 x 512 MSamples	48 channels	20 MS/s	24 channels	20 MS/s
DN6.593-24	16 Bit	20 MHz	3 x 512 MSamples	24 channels	40 MS/s	12 channels	40 MS/s
DN6.593-32	16 Bit	20 MHz	4 x 512 MSamples	32 channels	40 MS/s	16 channels	40 MS/s
DN6.593-40	16 Bit	20 MHz	5 x 512 MSamples	40 channels	40 MS/s	20 channels	40 MS/s
DN6.593-48	16 Bit	20 MHz	6 x 512 MSamples	48 channels	40 MS/s	24 channels	40 MS/s
DN6.596-24	16 Bit	60 MHz	3 x 512 MSamples	12 channels	125 MS/s	12 channels	125 MS/s
				24 channels	80 MS/s		
DN6.596-32	16 Bit	60 MHz	4 x 512 MSamples	16 channels	125 MS/s	16 channels	125 MS/s
				32 channels	80 MS/s		
DN6.596-40	16 Bit	60 MHz	5 x 512 MSamples	20 channels	125 MS/s	20 channels	125 MS/s
				40 channels	80 MS/s		
DN6.596-48	16 Bit	60 MHz	6 x 512 MSamples	24 channels	125 MS/s	24 channels	125 MS/s
				48 channels	80 MS/s		

Options

Order no.	Option
DN6.xxx-Rack	19" rack mounting set for self mounting
DN6.xxx-Emb	Extension to Embedded Server: CPU, more memory, SSD. Access via remote Linux secure shell (ssh)
DN6.xxx-BTPWR	Boot on Power On: the digitizerNETBOX/generatorNETBOX automatically boots if power is switched on.

BNC Cables

The standard adapter cables are based on RG174 cables and have a nominal attenuation of 0.3 dB/m at 100 MHz.

for Connections	Connection	Length	to SMA male	to SMA female	to BNC male	to SMB female
All	BNC male	80 cm	Cab-3mA-9m-80	Cab-3fA-9m-80	Cab-9m-9m-80	Cab-3f-9m-80
All	BNC male	200 cm	Cab-3mA-9m-200	Cab-3fA-9m-200	Cab-9m-9m-200	Cab-3f-9m-200

Technical changes and printing errors possible

SBench, digitizerNETBOX and generatorNETBOX are registered trademarks of Spectrum Instrumentation GmbH. Microsoft, Visual C++, Windows, Windows 98, Windows NT, Window 2000, Windows XP, Windows Vista, Windows 7, Windows 8 and Windows 10 are trademarks/registered trademarks of Microsoft Corporation. LabVIEW, DASyLab, Diadem and LabWindows/CVI are trademarks/registered trademarks of National Instruments Corporation. MATLAB is a trademark/registered trademark of The Mathworks, Inc. Delphi and C++Builder are trademarks/registered trademarks of Embarcadero Technologies, Inc. Keysight VEE, VEE Pro and VEE OneLab are trademarks/registered trademarks of Keysight Technologies, Inc. FlexPro is a registered trademark of Weisang GmbH & Co. KG. PCIe, PCI Express and PCI-X and PCI-SIG are trademarks of PCI-SIG. LXI is a registered trademark of the LXI Consortium. PICMG and CompactPCI are trademarks of the PCI Industrial Computation Manufacturers Group. Oracle and Java are registered trademarks of Oracle and/or its affiliates. Intel and Intel Core i3, Core i5, Core i7, Core i9 and Xeon are trademarks and/or registered trademarks of Intel Corporation. AMD, Opteron, Sempron, Phenom, FX, Ryzen and EPYC are trademarks and/or registered trademarks of Advanced Micro Devices. NVIDIA, CUDA, GeForce, Quadro and Tesla are trademarks/registered trademarks of NVIDIA Corporation.